

ORIGAMI SWAN FOR BEGINNERS

During this you can discuss:

1. To early Christians the swan through it's whiteness and its life upon pure waters represented purity and chastity;
2. It was the emblem of perfect love, courage, clean conscience and light. Traits also exemplified in Christ who called Himself the "light of the world" (John 8: 12) and laid down His life for His friends (John 10: 11-15; 15: 13).
3. Its white coloring reminded Christians of Christ's transfiguration during which "And his raiment became shining, exceeding white as snow; so as no fuller on earth can white them." (Mark 9: 3).
4. Like Christ, the swan was an enemy of the serpent because it ate small snakes and eels as it swam in the marshes.

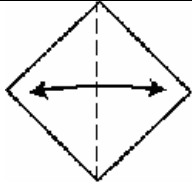
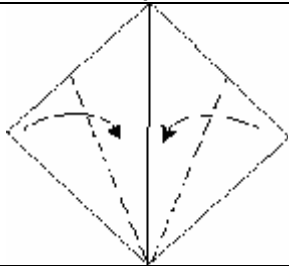
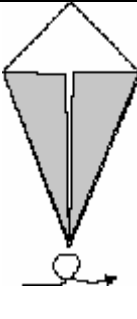
TIPS:

Look at the picture; hold your paper exactly the same way.

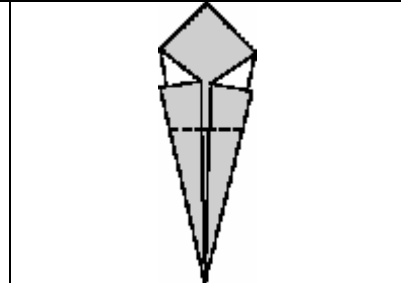
Always look for the **dashed line**...it shows where the next fold happens.

Then look at the **arrows**...they show what movement will happen.

An arrow head at BOTH ends means FOLD and then UNFOLD

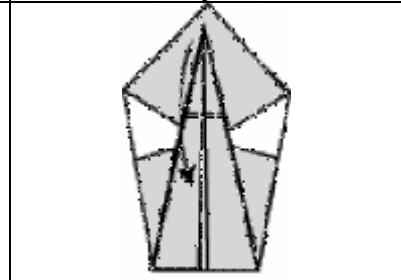
<p>Step 1. Make a Kite base. FOLD, then UNFOLD</p>	
<p>Step 2. Finishing the Kite Base. Fold lower edges to CENTER crease. Check the dashed lines.</p>	
<p>Step 3. This is what a finished KITE base looks like.</p> <p>TIP: Notice how the illustration tries to tell you that the back of the paper (which is gray) now shows. If you folded your paper really well you won't have a gap between the edges in the middle. DON'T OVERLAP the edges, that can lock the paper together at the end.</p>	

Step 4: Turn your paper over and fold your paper like the picture.

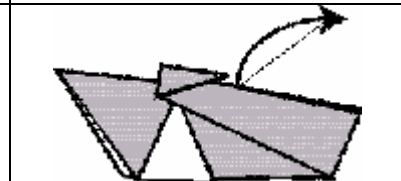


Step 5: Fold the paper over at the dashed line in the above picture. Also fold the base down about 1". This will make the swans head and neck.

TIP: You can change what the bird looks like a lot by varying the length of the neck or of the head



Step 7: Fold the swan in half along the dashed line.



Step 8: Grab the swan by its little neck and pull the paper up until it looks right to you!

Then squeeze the paper at the base of its neck to crease it.

The last step is to pull up its little swan head so it looks forward

